

Alphino Telephone Ring Detector Unit

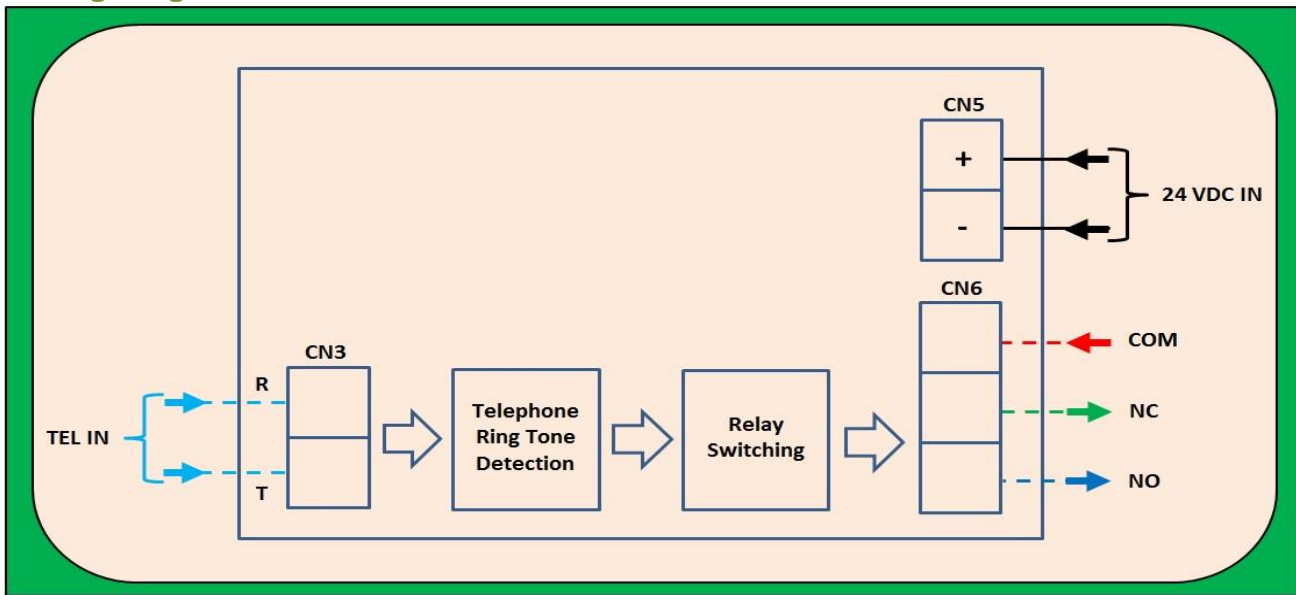


FEATURES

- Telephone Line Input and 24V DC Input
- Dry Contact Output (NC / NO)
- Modular construction for easy assembly
- Snap fit din rail mounting feature
- Flame retardant green polyamide 66 UL 94V0



Wiring Diagram



Telephone ring detector module with dry contact output, DC 24V input with snap-in DIN rail mount bracket. The module allows the telephone to activate a peripheral device such as a light beacon when the ring voltage (or tone) is present.

Relay is at NC state when the Telephone ring tone is not detected. Once the ring tone is present, the relay will toggle from NC to NO state at CN6.

TECHNICAL DATA

Input Voltage (DC)	24V DC
Input Current (A)	10 mA
Operating Temperature	-20 °C to 70 °C
Storage Temperature	-20 °C to 80 °C
Color of Body	Green
Body Material	Flame retardant polyamide 66 UL 94V0
Connections	Telephone Line Input and Dry Contact Output (NC / NO) (1A Max)
Mounting Type	Snap fit DIN rail
Mounting Position	Any Direction
Dimension	80 L x 68 W x 33 H (mm)
Weight	60 g

Contact Information

Alphino Pte Ltd.
 (Co. Reg. No.: 20110 6361R)
 #03-110, 18 Boon Lay Way
 18 @TradeHub 21
 Singapore 609966
 MAIN (65) 6686 4923 FAX (65) 6468 5819
 Email: sales@alphino.com

ORDER INFORMATION

T	R	D	-	0	0	1
---	---	---	---	---	---	---

Alphino reserves the right to change products' specifications without prior notice as our commitment to continuous improvement.