

# Alphino Speaker Volume Control Unit

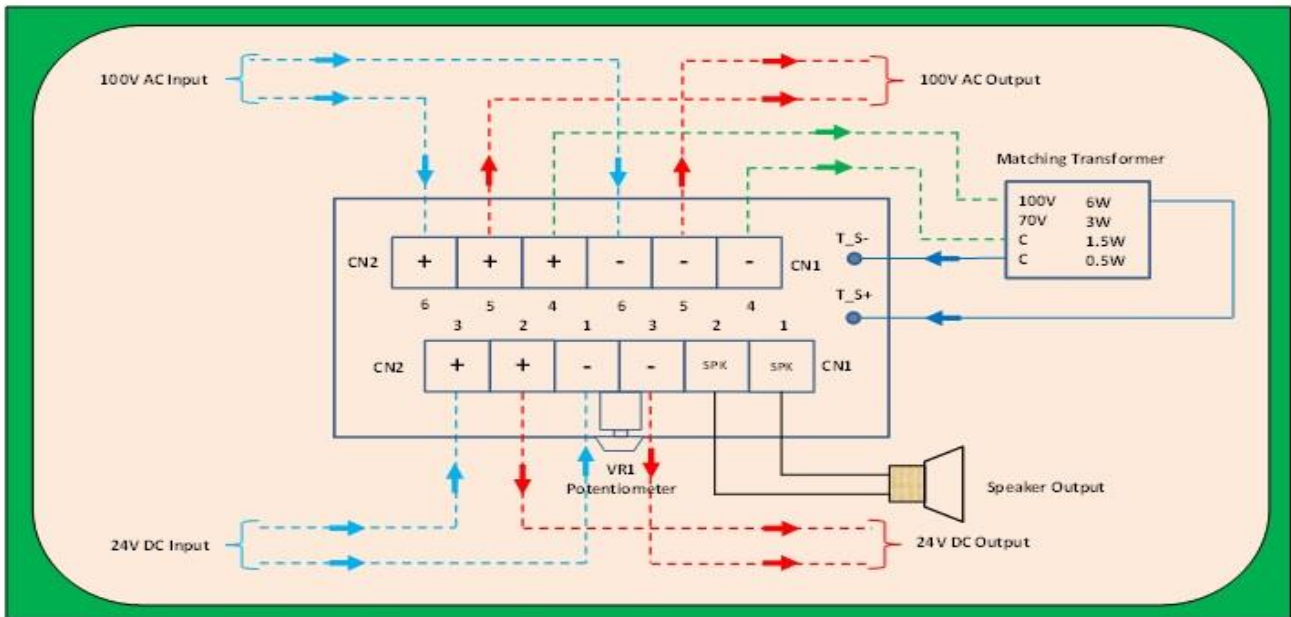


## FEATURES

- Speaker Volume Control using stainless steel Potentiometer
- Speaker Line Input and Speaker Line Output (70V AC or 100V AC)
- 24V DC Line Input / Output for Emergency Bypass Function
- Easy Mounting and integrated into any wall mount speakers
- Prewire for Transformer output tapping with compact design



## Wiring Diagram



Linear volume control / attenuator for up to 6W 100V AC public address speakers. It comes with 24V relay input so that a fire alarm or general alarm system can override the volume control in an emergency (i.e. turn it up to full volume for emergency announcements even if the speakers are turned off). No additional screw is required to install the volume control, no additional wire is needed for the assembly, and the compact size with built in loop in / loop out terminal blocks for easy wiring and termination.

## TECHNICAL DATA

<b>Power</b>	Up to 6W @100V AC
<b>Input Voltage (DC)</b>	24V DC
<b>Input Current (A)</b>	10 mA
<b>Operating Temperature</b>	-20 °C to 70 °C
<b>Storage Temperature</b>	-20 °C to 80 °C
<b>Connections</b>	Speaker Line Input / Output & 24 VDC Input / Output
<b>Mounting Position</b>	Mounted via Potentiometer
<b>Dimension</b>	23 L x 72 W x 27 H (mm)
<b>Weight</b>	60 g
<b>Turning Method</b>	Linear (270 Degrees)

## ORDER INFORMATION

S	V	C	-	0	0	1	-	1
---	---	---	---	---	---	---	---	---

### Alphino Pte Ltd.

(Co. Reg. No.: 20110 6361R)

#03-110, 18 Boon Lay Way

18 @TradeHub 21

Singapore 609966

MAIN (65) 6686 4923

FAX (65) 6468 5819

Email: sales@alphino.com

Alphino reserves the right to change products' specifications without prior notice as our commitment to continuous improvement.