

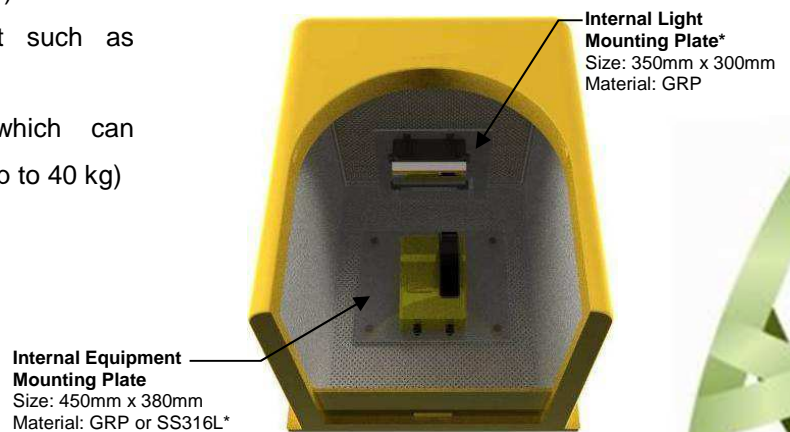
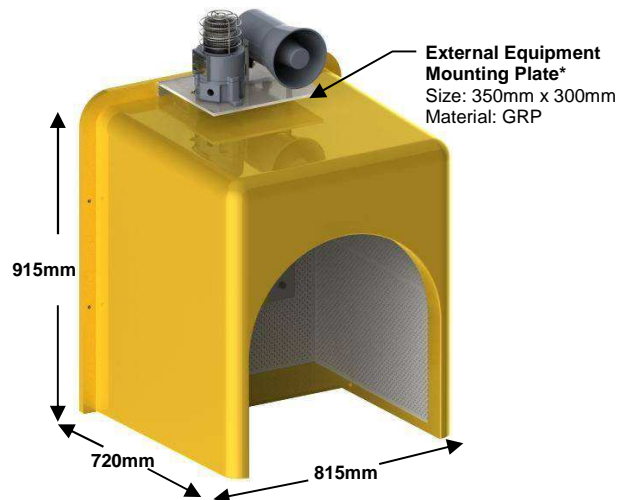
Alphino TN High Performance 28dB Acoustic Hood



First of its kind in the market, Alphino Telephone Hoods are manufactured from fully Glass Reinforced Polyester materials (from main body, perforated sheets to equipment mounting plate) therefore, especially suitable for marine, oil and gas environment. Our hoods are ergonomically designed and corrosion free in the most arduous climatic conditions. Its inner lining of acoustic absorption materials cut out extraneous noise and optimally improves audibility in highly ambient noisy environments.

FEATURES

- UV stable and maintenance free Glass-fiber Reinforced Polyester (GRP) body, perforated sheet & equipment mounting plate
- Fire retardant, GRP Class 1 to BS476 Pt 7
- High noise reduction up to **28.0 dB (tested by TUV)** for models with perforated sheet & high quality acoustic damping materials option
- Internal writing pad
- Mounting plate for internal lighting (optional)
- Mounting plate for external equipment such as sounder/ signal light (optional)
- Internal equipment mounting plate which can accommodate large & heavy equipment (up to 40 kg)
- Stainless Steel 316L screws & nuts



*Optional Items

Alphino TN High Performance 28dB Acoustic Hood



ORDER INFORMATION



Body Color

External Equipment Mounting Plate

Internal Equipment Mounting Plate

Internal Light Mounting Plate

External Equipment Mounting Plate

With GRP External Equipment Mounting Plate	E
Without External Equipment Mounting Plate	N

Body Color	
Yellow (RAL1021)	Y
Orange (RAL2004)	O
Red (RAL3020)	R
Other *	S

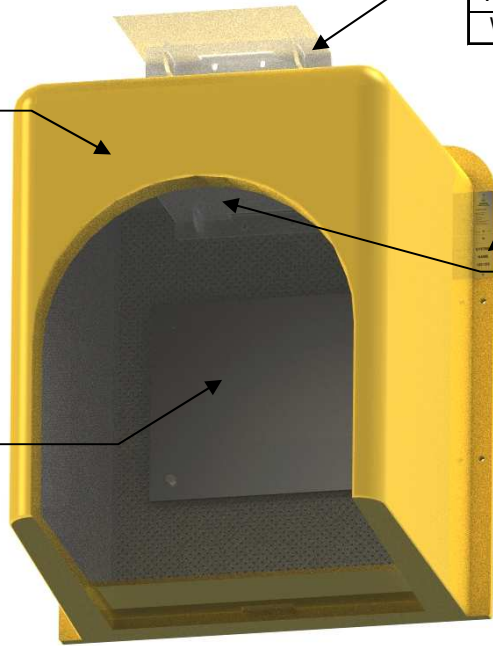
*Other color available upon special request. Please indicate exact RAL color code.

Allocation for Name Tag
Size: 38L x 83H mm

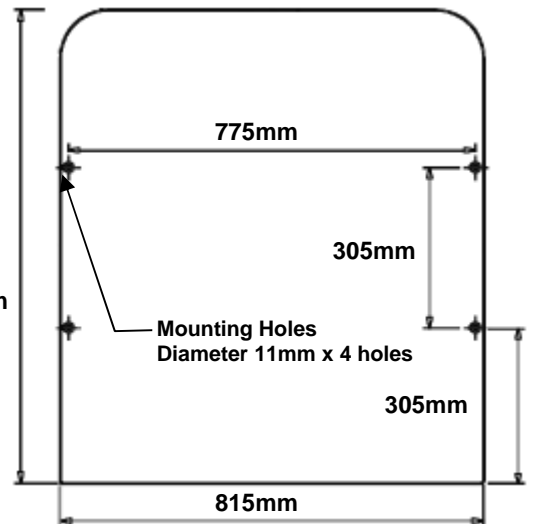
Internal Light Mounting Plate

With GRP Internal Light Mounting Plate	L
Without Internal Light Mounting Plate	N

Internal Equipment Mounting Plate	
GRP	G
Stainless Steel SS316L*	S



915mm



*Optional Items

TECHNICAL DATA

Body	UV Stable Glass-fiber Reinforced Polyester
Internal Acoustic Lining	UV Stable Glass-fiber Reinforced Polyester Perforated Sheet
Acoustic Insulation	Non-carcinogenic & High Quality Mineral Wool with density 60kg/m ³
Mean Noise Reduction	Up to 28.0 dB with Perforated Sheet & Rockwool
Weight (with perforated sheet & rockwool)	52.0 kg
Equipment Mounting Plate	UV Stable GRP, 5mm Thickness or Stainless Steel 316L 2mm Thickness, 450W x 380L (mm)
External Equipment Mounting Plate	UV Stable GRP, 8mm Thickness, 350W x 300L (mm)
Internal Light Mounting Plate	UV Stable GRP, 350W x 300L (mm)
All Screws and Nuts	Stainless Steel 316L

Note: Alphino reserves the right to change products' specifications without prior notice as our commitment to continuous improvement.

Alphino Pte Ltd. (Co. Reg. No.: 20110 6361R)
#03-110, 18 Boon Lay Way
18 @TradeHub 21
Singapore 609966
MAIN (65) 6686 4923 FAX (65) 6468 5819
Email: sales@alphino.com