



## 1W2-XE FEATURES

- *Variety of energy level : 5, 10, 15, 21, 25 & 30 Joules*
- *Flash rate of 60 fpm*
- *Changeable color domes with various color*
- *Voltage Input: 110 VAC, 230 VAC, 24VDC, 48VDC*
- *Improved inrush current and operating temperature characteristics*
- *Built in earth stud for Electrical safety grounding*
- *IP66 & IP67 rated water & dust ingress protected enclosure*
- *UV stable GRP housing and polycarbonate color dome*
- *Drop protection Stainless steel chain*
- *Provision for customer name tag*
- *Telephone initiation capabilities (optional)*
- *Stainless steel 316L guard (optional) for dome Protection*

**1W2-XE** offers users flexible selection in terms of color dome in a single housing with xenon lamp tube. **1W2-XE** caters improved inrush current and operating temperature characteristics, and telephone initiation capability is reserved to accompany with weather proof telephone in communication system.

**1W2-XE** Beacon Housing is manufactured from UV stable GRP housing and polycarbonate color dome, therefore, especially suitable for Oil and Gas, Offshore Platforms and Marine Industries.

**1W2-XE** Beacon is strictly designed for personal safety as well as for product reliability and best quality to operate in the most arduous climatic conditions.

Developed with optional special features such as telephone initiation are available upon request.

**1W2-XE** comes with water resistance enclosure, cross-through earth stud for electrical safety grounding. Stainless steel guard for dome protection is also available as optional accessory. It also come with reverse polarity protection on power supply connection to protect accidental damage to beacon circuit due to wrong connection. Stainless steel chain for drop protection is provided so that the top part of the beacon will not drop as well as it is not required to be hold during the cable

## DIMENSIONS



## TECHNICAL DATA

A) Current Consumption						
Operating Voltage	Average Current (mA)					
	5J	10J	15J	21J	25J	30J
110VAC	365	456	525	920	930	1000
230VAC	130	220	225	405	432	585
24VDC	650	920	1080	1340	1410	1600
48VDC	335	475	550	710	750	870

B) Light Output (effective Cd)						
	5J	10J	15J	21J	25J	30J
Effective Candela	227	371	508	518	627	636

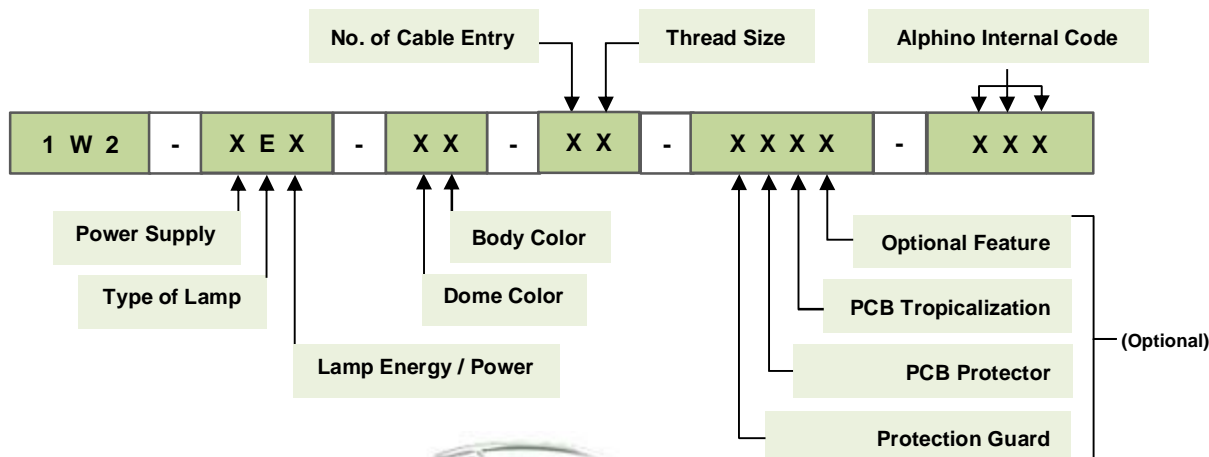
C) Multiplying Factor For Colored Lenses						
Clear	Yellow	Amber	Red	Blue	Green	
1.00	0.89	0.74	0.51	0.49	0.53	

D) General Specification:-	
Rated Input Voltage	110VAC, 230VAC, 50/60 Hz, 24VDC, 48VDC
Output Power/Flash Energy	5J, 10J, 15J, 21J, 25J, 30J
Flashes Per Minute (FPM)	60
Average Lifetime	11,000hr / 40,000,000 flashes
Operating Temperature	-40 °C to 70 °C @ Humidity 5% ~ 95%
Storage Temperature	-40 °C to 80 °C @ Humidity 5% ~ 95%
Ingress Protection	IP66 & IP67
Colors of Dome	Red, Green, Blue, Yellow, Amber, Violet, Clear (Other colors available as optional)
Cable Entry	2 x M20 (up to max of 4 entries; other entry sizes like NPT available as optional )
Mounting Positions	Any Direction
Without SS316L Guard	<b>Dimension:</b> 228H x 204L x 166D (mm), <b>Weight:</b> 1.8 kg (. may vary as per Joule)
With SS316L Guard	<b>Dimension:</b> 240H x 204L x 166D (mm), <b>Weight:</b> 1.95 kg (approx. may vary as per Joule)

# Alphino 1W2-XE Weatherproof Xenon Beacon



## ORDER INFORMATION



Power Supply	X
24 VDC	2
48 VDC	3
110 VAC	4
230 VAC	5

Lamp Energy/Power	X
Xenon	X
5 Joule	1
10 Joule	2
15 Joule	3
21 Joule	4
25 Joule	5
30 Joule	6

Protection Guard	X
With SS316L Guard *	G
Without SS316L Guard	N

Other dome colors available as optional.

Dome Color	X	Color Code
Red	R	RAL 3028
Green	G	RAL 6029
Blue	B	RAL 5002
Yellow	Y	RAL 1021
Amber	A	RAL 2009
Violet	V	RAL 4006
Clear	C	-

Standard body color is Gray. Other body colors available as optional.

Body Color	X
Gray	U
Black *	K
Red *	R

Allocation for Name Tag  
Size: 75L x 25H mm

PCB Protector	X
With PCB Protector *	P
Without PCB Protector	N

PCB Tropicalization	X
With Tropicalization *	T
Without Tropicalization	N

Optional Feature	X
With Telephone Initiation *	T
Not Require †	N

SS316L Chain

Note: 2 x M20 threaded entry holes as standard. Quantity and different threaded entry hole sizes available as optional.

No. of Cable Entry	X
Two	2
Three *	3
Four *	4

Thread Size	X
M20	2
M25*	3
½" NPT *	4
¾" NPT *	5



SS316L M6 Earth Stud  
(comes as standard)

2 x Ø8.5mm Mounting Holes  
(186mm apart)

Additional cable entry at opposite side \*

\* Optional Item/Feature

## Contact Information

**Alphino Pte Ltd.**  
(Co. Reg. No.: 20110 6361R)  
#03-110, 18 Boon Lay Way  
18 @TradeHub 21  
Singapore 609966  
MAIN (65) 6686 4923      FAX (65) 6468 5819  
Email: sales@alphino.com



Alphino reserves the right to change products' specifications without prior notice as our commitment to continuous improvement.