



1W2-XLS FEATURES

- *User-selectable steady, flash and running/rotating function*
- *Selectable flashing rates of 30, 60, 80, 100, 120, 180 (fpm)*
- *Changeable color domes with various color*
- *Polarity protection for DC models*
- *Built in earth stud for Electrical safety grounding*
- *IP66 & IP67 rated water & dust ingress protected enclosure*
- *UV stable GRP housing and polycarbonate color dome*
- *Drop protection Stainless steel chain*
- *Provision for customer name tag*
- *Telephone initiation capabilities (optional)*
- *Stainless steel 316L guard (optional) for dome Protection*

1W2-XL is first of its kind in the market, offering users flexible selection in terms of flashing mode, flashing rate, color dome and input voltage in one single housing with Super Bright LED.

1W2-XL Beacon Housing is manufactured from UV stable GRP housing and polycarbonate color dome, therefore, especially suitable for Oil and Gas, Offshore Platforms and Marine Industries.

1W2-XL Beacon is strictly designed for personal safety as well as for product reliability and best quality to operate in the most arduous climatic conditions.

Developed with optional special features such as telephone initiation are available upon request.

1W2-XL comes with water resistance enclosure, cross-through earth stud for electrical safety grounding. Stainless steel guard for dome protection is also available as optional accessory. It also come with reverse polarity protection on power supply connection to protect accidental damage to beacon circuit due to wrong connection. Stainless steel chain for drop protection is provided so that the top part of the beacon will not drop as well as it is not required to be hold during the cable termination.

Alphino 1W2-XL Weatherproof LED Beacon

DIMENSIONS



SPECIFICATIONS

Operating Voltage	Peak Current (mA) under Steady Operation Mode
12VDC	600mA
24VDC	300mA
48VDC	160mA
110VAC	150mA
230VAC	100mA

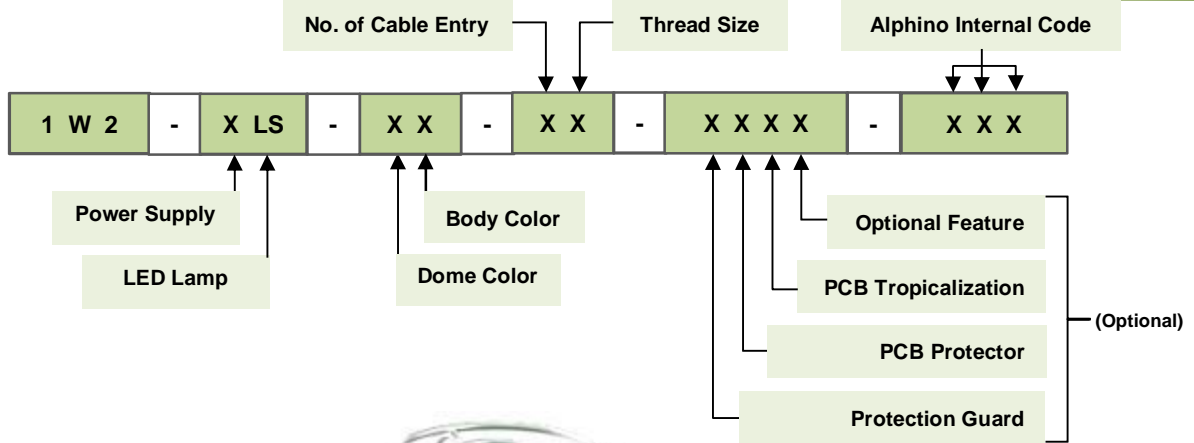
Light Output (effective Cd)							
Mode	Dome Color						
	Clear	Yellow	Amber	Red	Blue	Green	Purple
60rpm	353	269	179	73	49	72	90
60fpm	323	256	162	68	49	73	78
Steady	192	177	111	41	30	47	48

Lamp Type	
Rated Input Voltage	110VAC, 230VAC : 50/60 Hz, 12VDC , 24VDC, 48VDC
Rotation Per Minute (RPM)	30, 60, 80, 100, 120, 180
Flashes Per Minute (FPM)	30, 60, 80, 100, 120, 180
Average Lifetime	54,000 hours
Operating Temperature	-40 °C to 70 °C @ Humidity 5% ~ 95%
Storage Temperature	-40 °C to 80 °C @ Humidity 5% ~ 95%
Ingress Protection	IP66 & IP67
Colors of Dome	Red, Green, Blue, Yellow, Amber, Violet, Clear (Other colors available as optional)
Cable Entry	2 x M20 (up to max of 4 entries; other entry sizes like NPT available as optional)
Mounting Positions	Any Direction
Without SS316L Guard	Dimension: 228H x 204L x 166D (mm), Weight: 1.8 kg
With SS316L Guard	Dimension: 240H x 204L x 166D (mm), Weight: 1.95 kg

Alphino 1W2-XLS Weatherproof LED Beacon



ORDER INFORMATION



Power Supply	X
12VDC	1
24VDC	2
48VDC	3
110VAC	4
230VAC	5

Protection Guard	X
With SS316L Guard *	G
Without SS316L Guard	N

Other dome colors available as optional.

Dome Color	X	Color Code
Red	R	RAL 3028
Green	G	RAL 6029
Blue	B	RAL 5002
Yellow	Y	RAL 1021
Amber	A	RAL 2009
Violet	V	RAL 4006
Clear	C	-

Standard body color is Gray. Other body colors available as optional.

Body Color	X
Gray	U
Black *	K
Red *	R

Allocation for Name Tag
Size: 75L x 25H mm

PCB Protector	X
With PCB Protector *	P
Without PCB Protector	N

PCB Tropicalization	X
With Tropicalization *	T
Without Tropicalization	N

Optional Feature	X
With Telephone Initiation *	T
Not Require +	N

Note: 2 x M20 threaded entry holes as standard. Quantity and different threaded entry hole sizes available as optional.

No. of Cable Entry	X
Two	2
Three *	3
Four *	4

Thread Size	X
M20	2
M25*	3
1/2" NPT*	4
3/4" NPT*	5



SS316L M6 Earth Stud
(comes as standard)

* Optional Item/Feature

Contact Information

Alphino Pte Ltd.
 (Co. Reg. No.: 20110 6361R)
 #03-110, 18 Boon Lay Way
 18 @TradeHub 21
 Singapore 609966
 MAIN (65) 6686 4923 FAX (65) 6468 5819
 Email: sales@alphino.com



Alphino reserves the right to change products' specifications without prior notice as our commitment to continuous improvement.